

Sundance® Spas

Hot Tub Specification Handbook



Important Safety Instructions - All Models



©2021 Sundance® Spas, Inc. Sundance® Spas may make product modifications and enhancements. Therefore, specifications may change without notice. Dimensions are approximate and for reference only.



CAUTION: Always measure each hot tub for exact dimensions before designing its foundational support and/or decking.



When designing a foundational support, always account for the following load factors:

1. Filled hot tub weight, plus (+)
2. Combined occupant weight at maximum seating capacity, plus (+)
3. Weight of support decking, when applicable.



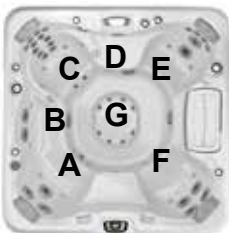
The technical data given in this publication is for reference purposes only. It implies no warranty of any kind.



Spa specifications, dimensions and operations are subject to change without notice.

Sundance® Spas 880 Optima®

Specifications

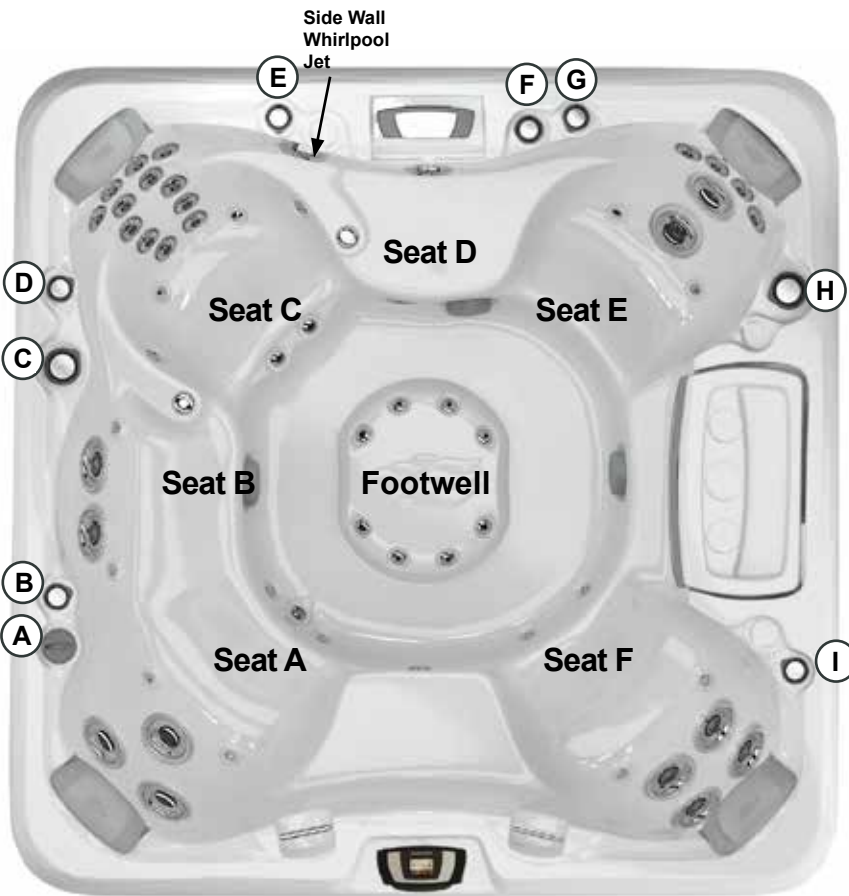
Dimensions:	89" x 89" x 37.5" (226 cm x 226 cm x 95.25 cm)	
Perimeter	356" (904.2 cm)	
Seating Capacity:	6-7 Adults	
Dry Weight:	924 lbs (419 kg)	
Filled Weight (Spa Volume):	5,344 lbs (2,424 kg)	
Filled Weight (Average Fill):	4,343 lbs (1,970 kg)	
Water Capacity (Spa Volume):	530 US Gal (2,006 Liters)	
Water Capacity (Average Fill):	410 US Gal (1,552 Liters)	
Controls:	880 iTouch Interface LCD Control, Displays Temperature, Time, Cycles and Jet/Air System Control. Offers Customizing of Filtration Cycles, Lighting, Water Temperature Setting and other features	
Water Delivery:	2 TheraMax High-Flow Pumps and 8-Hour Dynamic Flow Circulation System	
Pump 1:	North America (60 Hz): 1-Speed/2.5 HP Continuous, 11.3A Max., 56 Frame Export (50 Hz): 1-Speed/2.0 HP Continuous, 7.0A Max.	
Pump 2:	North America (60 Hz): 1-Speed/2.5 HP Continuous, 11.3A Max., 56 Frame Export (50 Hz): 1-Speed/2.0 HP Continuous, 7.0A Max.	
Pump 3:	High Output Dynamic Flow, 8-Hour Filter/Circulation Pump (35 gpm); Programmable for Daily Start Time and Duration	
Total Hydrojets:	47	
Seat A Jets:	3 Fluidix Intelli-Jet	
Seat B Jets:	2 Vortex	
Seat C Jets:	12 Fluidix ST, 2 Fluidix Nex, 1 Whirlpool (sidewall), 4 Accu-Pressure, 2 Pulsator	
Rear Wall Jet (D):	1 Vortex	
Seat E Jets:	2 Fluidix Intelli-Jet, 2 Fluidix Nex, 4 Fluidix ST	
Seat F Jets:	4 Vortex	
Footwell Jets (G):	8 Accu-Pressure	
Air Blower:	High-Efficiency, 1-Speed	
Aromatherapy Delivery:	14 Air Injector Jets with Quiet High Speed Air Pump	
Air Controls/Massage Selectors:	5/2 (Standard air control with LED lights and massage selector with LED lights)	
Filter:	MicroClean® Ultra Filtration System, 130 ft ² (2 interlocking cartridge filters)	
Water Treatment:	Automatic Brominator and Dynamic Flow Circulation System; Factory installed CLEARARRAY® Active Oxygen System	
Lighting:	Multi-Colored Sunglow LED Lighting System (1 Waterfall, 1 Footwell, 5 Air controls, 2 Massage Selectors, 2 Backlit handrails, Exterior lights)	
Skirt Cabinet (SunSide™):	Modern Hardwood, Brushed Gray and Vintage Oak (Equipped with Standard Exterior Lights)	
Shell Colors:	North America(60 Hz): Platinum, Celestite (Gypsum), Sahara, Monaco, Midnight, Porcelain Export (50 Hz): All North America Colors	
Handrails:	Two High Quality Stainless Steel with backlit LED lighting	
ComfortTone Headrests:	Four, 1-Piece Gray	
Heater:	North America (60 Hz): Low Flow 5.5 kW with Titanium Element Export (50 Hz): Low Flow 2.7 kW with Titanium Element	
Electrical Requirements:	North America (60 Hz): 240 VAC@40A, 50A or 60A; Export (50 Hz): 230-240 VAC@1x432A or 1x16A/1x32A, 1x20A/1x16A, 3x16A (see manual for more configurations); or Suitably Rated Circuit Breaker to Comply with Local Electrical Regulations. Certain Countries may Require 2 Power Inputs; Two GFCI/RCD Breakers are Required for This Configuration.	
Limited Warranty*:	North America (60 Hz): 10 Years Shell, 7 Years Shell Surface, 5 Years Plumbing Component Leaks, 5 Years Equipment and Controls, 5 Years Synthetic Cabinet, 5 Years Jets, 2 Years Lights, 1 Year Stereo Export (50 Hz): 10 Years Shell, 7 Years Shell Surface, 5 Years Plumbing Component Leaks, 5 Years Equipment and Controls, 5 Years Synthetic Cabinet, 5 Years Jets, 2 Years Lights, 2 Years Stereo	
Waterfall Feature:	Adjustable Flow Rate; Colored Lighting	
Audio System (Optional):	Factory Installed BLUEWAVE® 2.0 Wireless Spa Stereo System with Auxiliary 3.5 mm headphone jack connection, Bluetooth® compatible, 4 premium speakers and a powered subwoofer	
Special Features:	MicroClean® Plus Versatile Filter Lid, Optional Filter Lid Pillow seat, Optional (Factory Installed) SmartTub™ Module	

*(See Warranty Document for Specific Details)

Dimensions/Specifications Subject To Change Without Notice

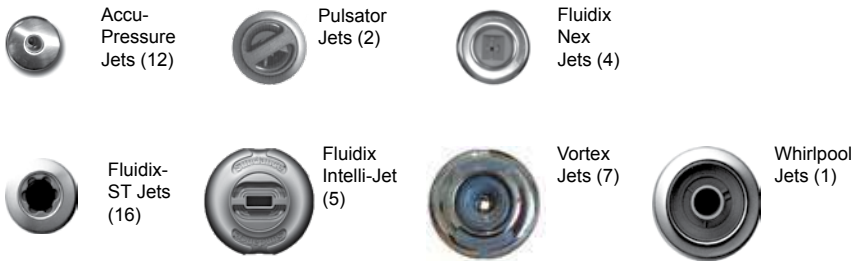
Sundance Spas 880 Optima

Operation/Seat Depths



- (A)** Sunscents Dispenser
- (B)** Air Control - Activates Seat A Jets (3 Fluidix Intelli-Jet) + Seat B Jets (2 Vortex) + Side Wall Whirlpool Jet
- (C)** Massage Selector [Pump 2] - Adjusts Massage Level Between Seat C Jets (except 4 Accu-Pressure) and Footwell Jets + Rear Wall Jet
- (D)** Air Control - Activates Upper Eight Seat C Jets (2 Fluidix Nex, 6 Fluidix-ST)
- (E)** Air Control - Activates Lower Twelve Seat C Jets (6 Fluidix-ST, 4 Accu-Pressure, 2 Pulsators)
- (F)** Waterfall Selector [8-Hour Circ. Pump] - Controls Waterfall Output
- (G)** Air Control - Activates Seat E Jets (2 Fluidix Nex, 4 Fluidix-ST, 2 Fluidix Intelli-Jet) + Seat F Jets (4 Vortex)
- (H)** Massage Selector [Pump 1] - Adjusts Massage Level Between Seat A Jets + Side Wall Whirlpool and Seat E Jets + Seat F Jets
- (I)** Air Control - Activates Seat D Rear Wall Jet (1 Vortex) + Footwell Jets (8 Accu-Pressure)

47 Total Jets



- Jets Pump 1: Seat B Jets are always on when this pump is running
- Jets Pump 2: The 4 Accu-Pressure Jets in the Seat C are always on when this pump is running

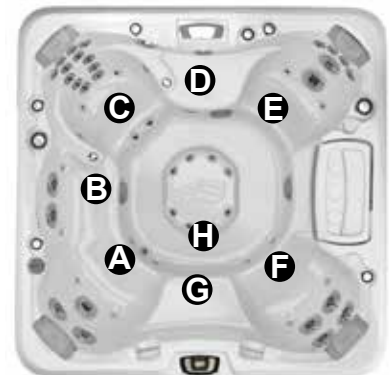
Spa Operation Subject To Change Without Notice

SEAT DEPTHS

- A = 25.00" (63.50 cm)**
- B = 22.00" (55.88 cm)**
- C = 28.00" (71.12 cm)**
- D = 25.00" (63.50 cm)**
- E = 26.00" (66.04 cm)**
- F = 25.00" (63.50 cm)**

- G = 17.00" (43.18 cm)**
- H = 32.00" (81.28 cm)**

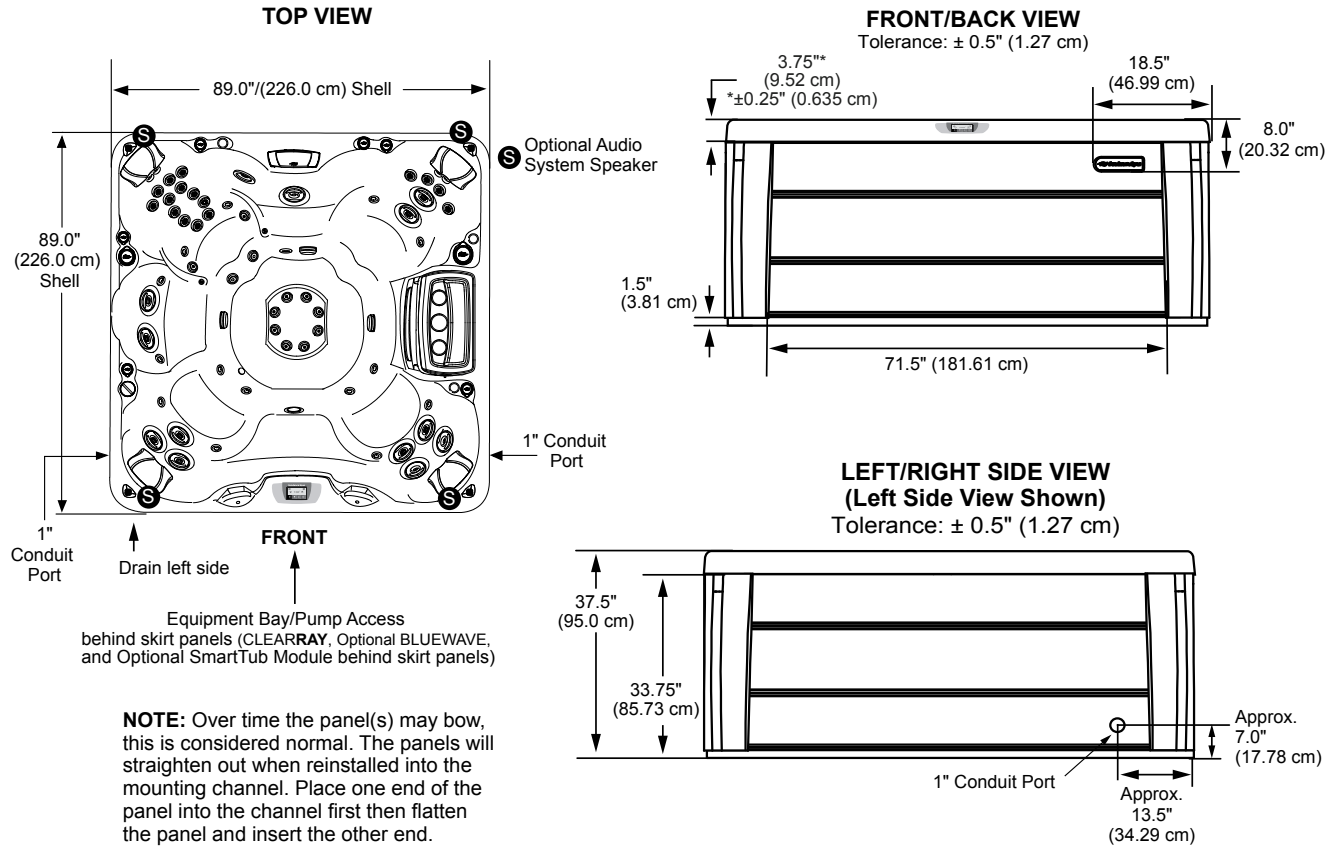
Listed dimensions represent distance from top of acrylic to lowest point in seat. **Tolerance ± 0.5" (1.27 cm).**



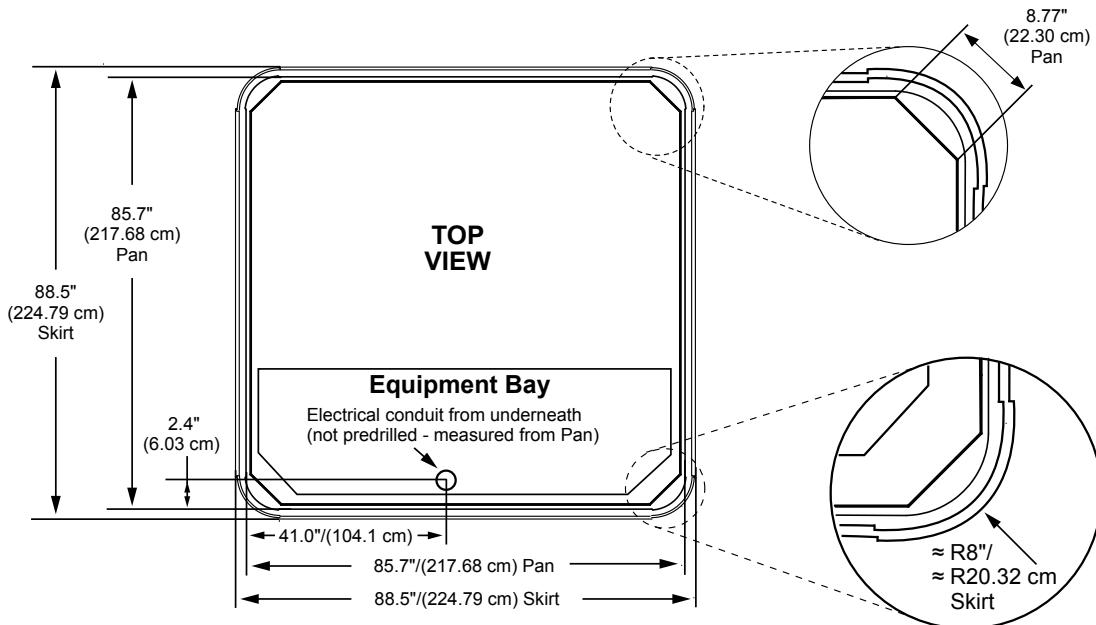
Dimensions/Specifications Subject To Change Without Notice

Sundance Spas 880 Optima

Portable Dimensions



IMPORTANT! Always measure each hot tub for exact dimensions BEFORE designing its foundational support and/or decking.



Dimensions/specifications subject to change without notice. Tolerance: $\pm 0.5"$ (1.27 cm)

Dimensions/Specifications Subject To Change Without Notice